



CONSTRUCTION EQUIPMENT, VEHICLES

Fastest , Safests, Largest After Market

Spare parts – Original, OEM and OES



Hitachi Construction Machinery



VÖGELE



Perkins



HAMM

WIRTGEN GROUP

Diesel Power

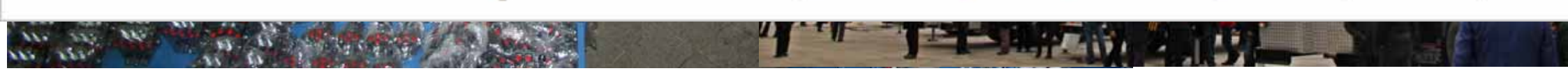


FORKLIFT / INDUSTRIAL TRUCK PARTS

Fastest , Safests, Largest After Market
Spare parts – Original, OEM and OES



Mobile Elevating Work Platforms (MEWPs), Personnel Lifting Platform , Manlift , Aerial Work Platforms (AWP) Sector





VEHICLE SPARE PARTS

Fastest , Safests, Largest After Market
Spare parts – Original, OEM and OES





WHO WE ARE? QUI NOUS SOMMES?



Leading Team with more than 30 years Global Business Experience;
Équipe dirigeante avec plus de 30 ans d'expérience commerciale mondiale



Sidy G. DIOP
Chairman



Faruk AKSOY
Partner & CEO



Who we are ? SIFTAMEC MACHINERY FARUK AKSOY (CEO & Partner)



TÜRKİYE Construction Equipment Distributors & Manufacturers Association



Materials Handling, Storage & Industrial Equipment Association of TÜRKİYE



T.C. SANAYİ VE TEKNOLOJİ BAKANLIĞI

2002 -2017 İMDER & İSDER (More than 120 members)

Founder , Secretary General and Vice President for more than 15 years of Turkish Construction Equipment Manufacturers, Distributors and Rental İMDER & Material Handling, Storage and Industrial Equipment Associations İSDER

**Ministry of Industry and Technology of the Republic of Turkey
2003- 2018 Ministry of Industry "MAKTEK-Machinery Sector" Chairman of the Technical Committee,
Member of the Presidential Economic Coordinating Council of Turkey.**



The Union of Chambers and Commodity Exchanges of Turkey

2007-2017 TOBB - Union of Chambers and Commodity Exchanges of Turkey (Vice President)



RUSSIA -



GERMANY



S.KOREA



CHINA



JAPAN



Confederation of Indian Industry
125 Years: 1895-2020



BRAZIL

ASSOCIAÇÃO BRASILEIRA DE TECNOLOGIA PARA CONSTRUÇÃO E MINERAÇÃO



European materials handling federation

FEM – European Federation - BELGIUM Executive Board Membership



COMMITTEE FOR EUROPEAN CONSTRUCTION EQUIPMENT

CECE – European Federation - BELGIUM – Executive Board Membership



EUROPEAN RENTAL ASSOCIATION

ERA – European Federation - BELGIUM – Executive Board Membership

UNITED STATES OF AMERICA



Association of Equipment Manufacturers



Association Equipment Distributors



American Rental Association



MHI THE INDUSTRY THAT'S

SIDIO GROUP OF COMPANIES



SIDIO GROUP SARL, SENEGAL

MEDICHEM GmbH, GERMANY

ITCEP SARL, SENEGAL

AFRAGRO SARL, SENEGAL

BAOL INVEST SA, SENEGAL

SIFTAMEC GLOBAL, TURKEY

MRZ ELECTROMECHANICAL, UAE

IRC/SIRC, GERMANY,UAE, INDIA





GLOBALTURQ

CONSTRUCTION

ELECTRICAL

MACHINERY

HEALTH



AFERKO GLOBAL

İMTELSAN

SİFTAMEC

HEALTHTURQ

- *Construction Materials
- *Aluminium,PVC & Glass
- *Bathroom Cabinets
- *Kitchen Furniture
- *Furnitures
- *Paints
- *Doors

- *Electrical Materials
- *Lighting Poles
- *Transformator
- *Solar Energy
- *Generators
- *Lightings
- *Cables

- *Machinery Equipment
- *Agricultural Equipment
- *Construction Machinery
- *Automotive Parts

- *Laboratory Equipments
- *Medical Materials
- *Medicine Supply
- *Hospital Project
- *Health Tourism



AFERKO GLOBAL

"GLOBAL SOLUTION PARTNER"

BUILDING & CONSTRUCTIONS MATERIALS



ELECTRICAL, LIGHTING, ENERGY



HEALTH  **TURQ**

WHICH SECTORS?

- 1. Construction, agricultural machinery, equipment, vehicles and spare parts**
- 2. Construction Equipment and Machineries**
- 3. Material Handling, Access Equipment , Forklifts**
- 4. Agricultural industry and equipment**
- 5. Contract construction, infrastructure, superstructure**
- 6. Construction and building materials**
- 7. Energy and electricity, Lighting**
- 8. Medicine and health industry**
- 9. Food industry and supermarket**
- 10. Cosmetics and personal care products**
- 11. Environment and Process Industry**
- 12. Solutions for logistics automation, systems and control**
- 13. Consultations | Production | Distribution activities | Investments**



Construction, Agri Machineries, Equipment, Vehicle & Spare Parts





CONSTRUCTION EQUIPMENT AND MACHINERY SPARE PARTS FOR CONSTRUCTION MACHINERY





CONSTRUCTION EQUIPMENT AND MACHINERY SPARE PARTS FOR CONSTRUCTION MACHINERY



Turkey
Discover the potential





ALL KIND OF TRUCK MOUNTED MACHINIES AND PRODUCTS



Fire Trucks



Garbage Collection Vehicles



Sewage Truck



Sewer Jetting Equipments



Combined Sewer Cleaning Equipments



Tipper



Water Tankers



Hook Lifts



Hydraulic Platforms



Fire Truck Parts



Special Equipments



Sewer Jetting and Cleaning Components





CONSTRUCTION EQUIPMENT, MACHINERY AND VEHICLES
Spare parts - original, OEM and OES



Hitachi Construction Machinery





CONSTRUCTION EQUIPMENT, MACHINES & VEHICLES After Market & Spare Parts – Original , OEM & OES



-  HYDRAULIC SYSTEM SPARE PARTS
-  PALLET UNDERCARRIAGE TEAMS
-  SEALING PARTS
-  EXCAVATOR AND DRILLING NAIL-ADAPTER
-  BUCKET AND NAIL MATERIALS
-  COUPLING





Тележки



Пальцы



Колесики, рычаги, крышки...



Ходовая



Группа Ободов



Резиновые детали



Балансирные балки



Группа соединительных узлов...



Группа гидравлики



Группа разных пальцев и вту...



Группа накладок (бронза)



Радиаторы



Группа пропеллеров



Маслоохладители



Коллекторы



Детали для двигателя



Детали Топливной Системы



Группа трансмиссии, турбин и...



Группа масляных насосов



Шестерни



Группа глушителей



Группа воздушных компресс...



Тормозная группа



Фары и освещение



Остальные группы



Тележки



Пальцы



Каретки, коромысла, крышки..



MOTOR GRADER PARTS



BACKHOE LOADER PARTS



WHEEL LOADER PARTS



BRAKE GP & RIM



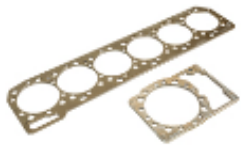
HYDRAULIC PARTS



TORQUE CONVERTOR PARTS



ENGINE PARTS



OIL COOLERS & RADIATORS



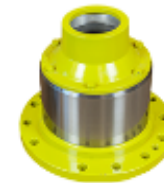
EXHAUST COMPONENTS



ARTICULATED TRUCK PARTS



PLANETARY TRANSMISSION PARTS



VARIOUS MANUFACTURING



TRACK TYPE TRACTOR PARTS



EXCAVATOR PARTS



TRACK LOADER PARTS



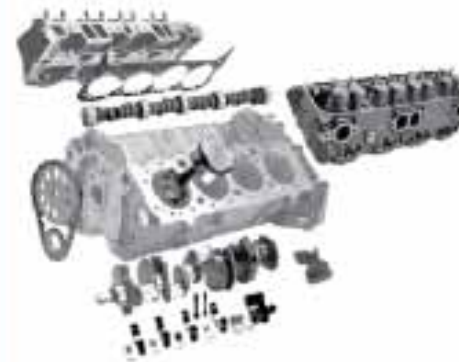
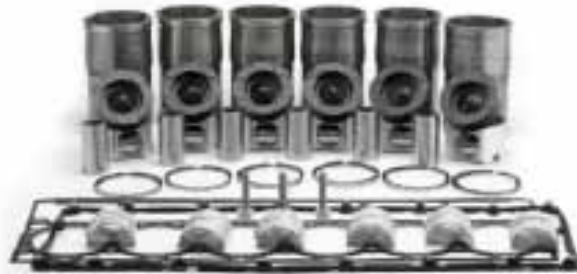
JOINT GP & YOKE





- Cummins Diesel Engine
- Komatsu Diesel Engine
- Daewoo Diesel Engine
- Isuzu Diesel Engine
- Hino Diesel Engine
- Doosan Diesel Engine
- Mitsubishi Diesel Engine
- Hyundai Diesel Engine
- Iveco Diesel Engine
- Yanmar Diesel Engine
- Perkins Diesel Engine
- Nissan Diesel Engine
- Caterpillar Diesel Engine
- Deutz Engine
- Volvo Engines
- Izumi Engine Spares
- Mc Bee Cummins and Caterpillar Engine Spares







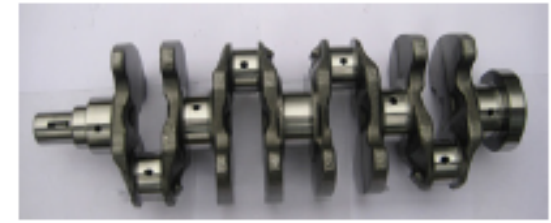
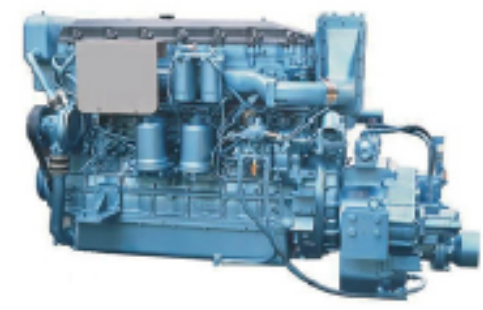
HINO DİZEL MOTOR

Tüm Hino Dizel motor ve yakıt sistem parçaları mevcuttur.



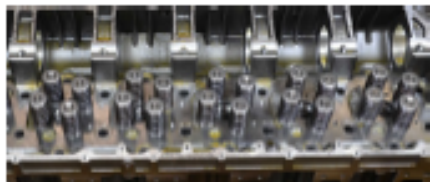
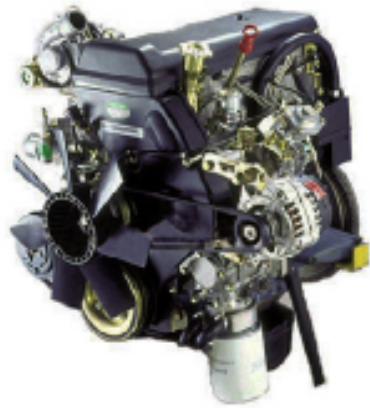
Tüm Hyundai Dizel motor ve yakıt sistem parçaları mevcuttur.

HYUNDAI DİZEL MOTOR



IVECO DİZEL MOTOR

Tüm Iveco Dizel motor ve yakıt sistem parçaları mevcuttur.



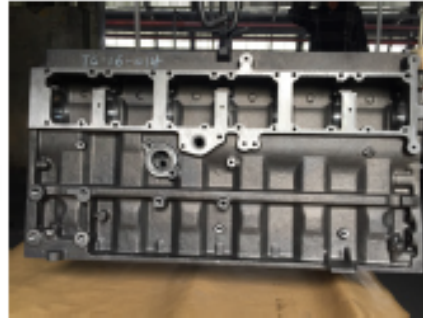
Tüm Yanmar Dizel motor ve yakıt sistem parçaları mevcuttur.

YANMAR DİZEL MOTOR



CATERPILLAR DİZEL MOTOR

Tüm Caterpillar Dizel motor ve yakıt sistem parçaları mevcuttur.



PERKINS DİZEL MOTOR

Tüm Perkins Dizel motor ve yakıt sistem parçaları mevcuttur.



DEUTZ DİZEL MOTOR

Tüm Deutz Dızzel motor ve yakıt sistem parçaları mevcuttur.



DEUTZ Motor Yedek Parçaları

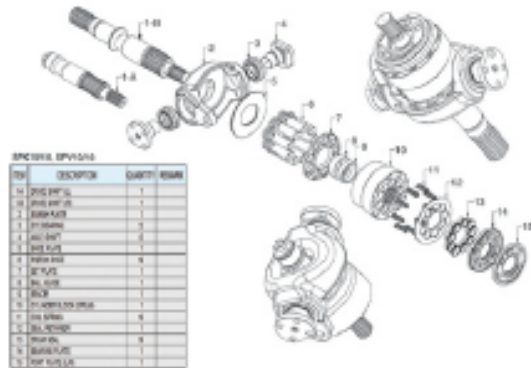
Tüm Izumi Dızzel motor ve yakıt sistem parçaları mevcuttur.

IZUMI DİZEL MOTOR

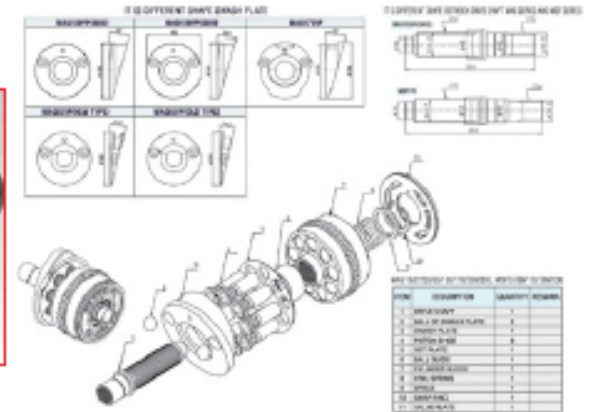


SPV / SPK CAT Series

SPV / SPK Series

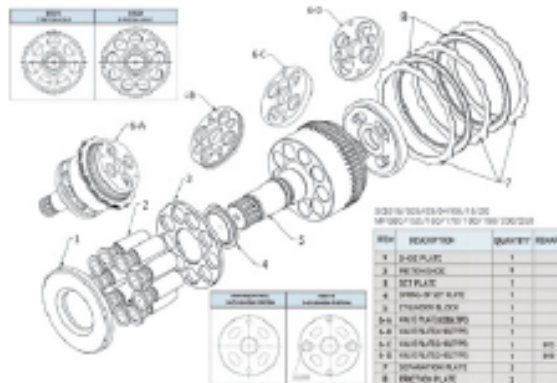


MAG Series



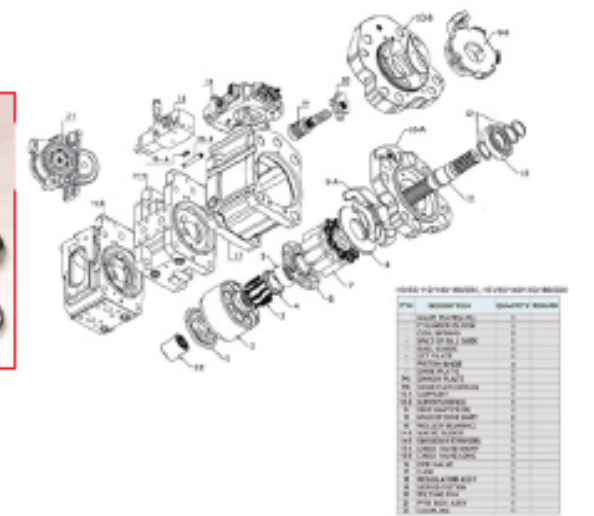
SG TOSHIBA Series

SG TOSHIBA

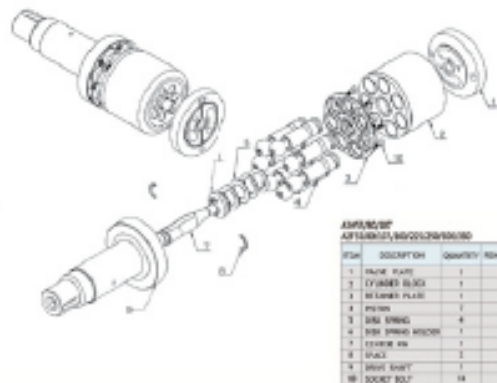


K3V 63, 112, 140, 180, 200, 280DT/P
K5V 80, 140, 160, 200DT/P
K7V 63DT/P

K3V Series



A2F Series

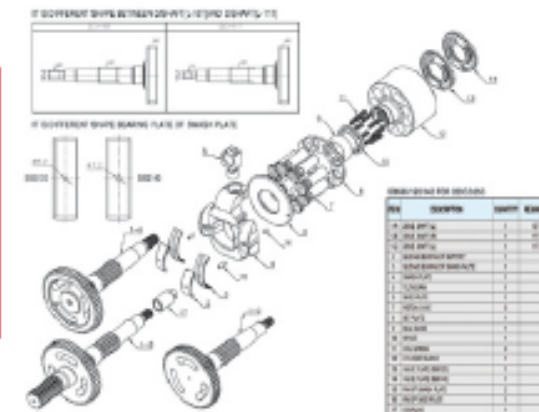


A2F Series

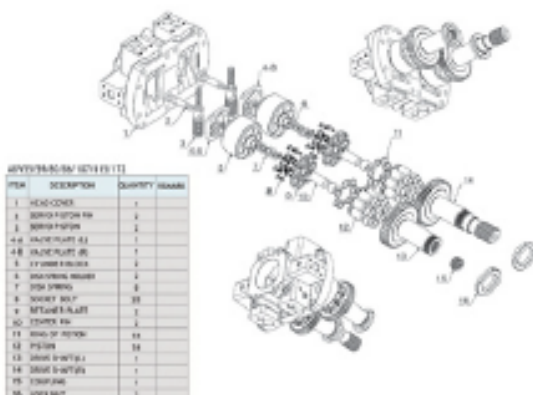


SBS Series

SBS Series



A8V Series

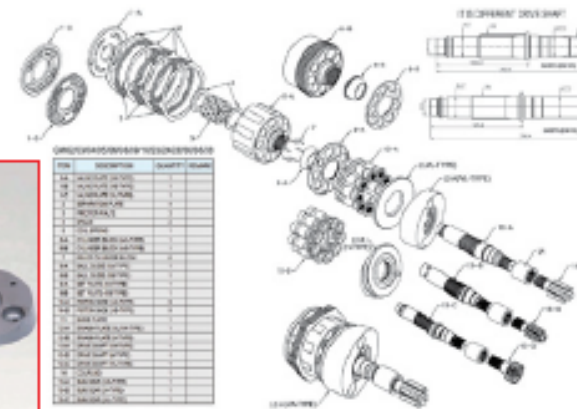


A8V Series



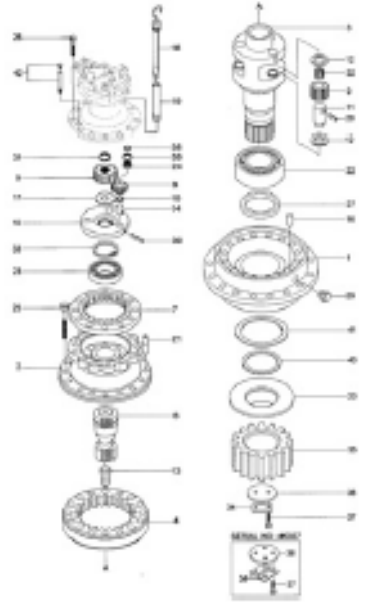
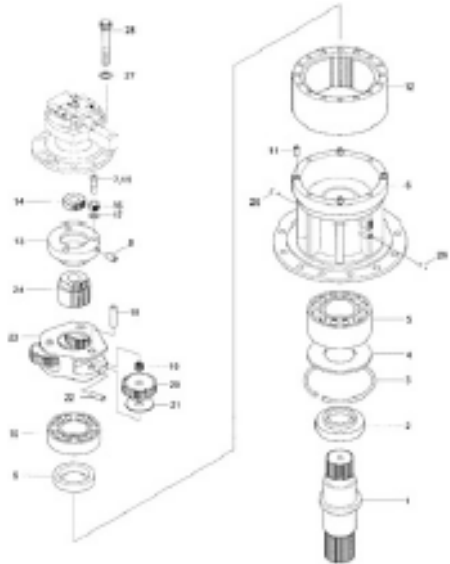
GM Series

GM Series

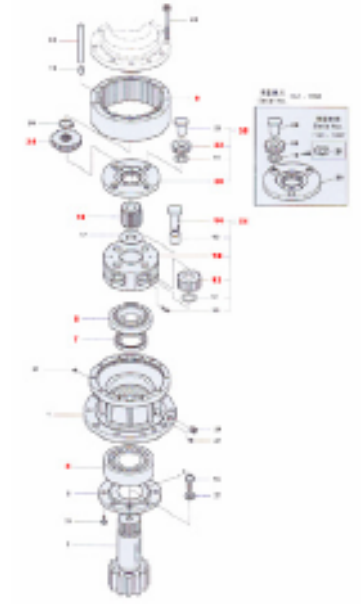


GM Series

Kule Şanzıman ve Yedekleri



Kule Şanzıman ve Yedekleri

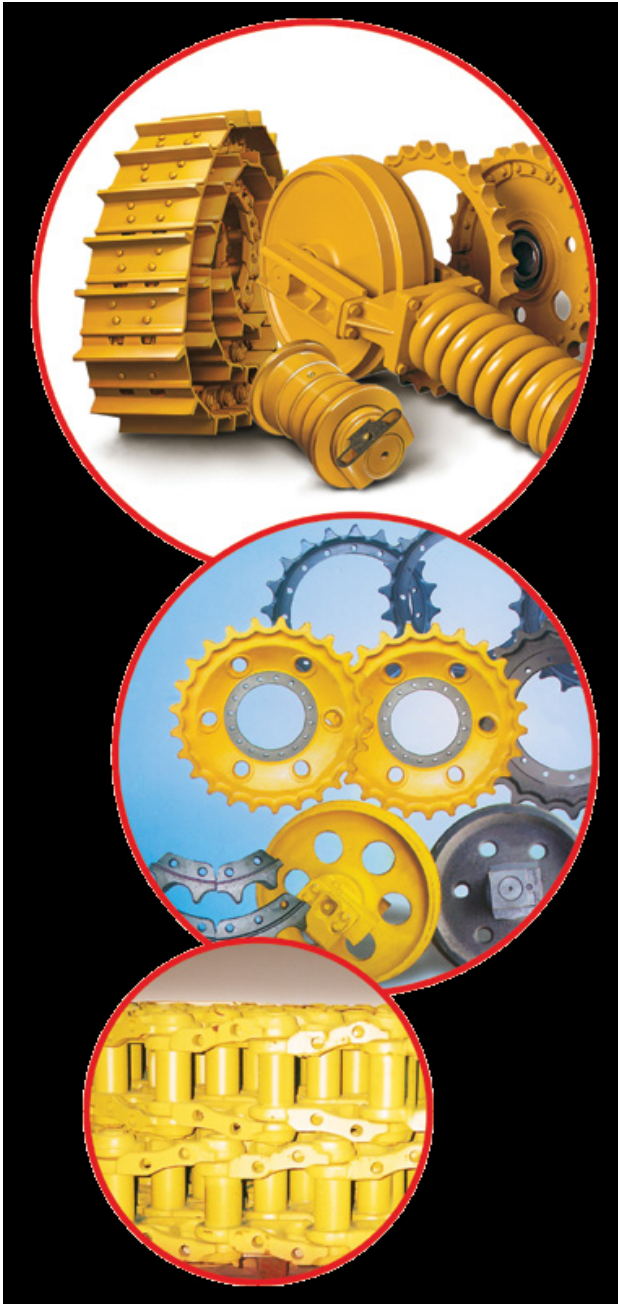


Kule Dişlisi ve Pinion Dişlisi

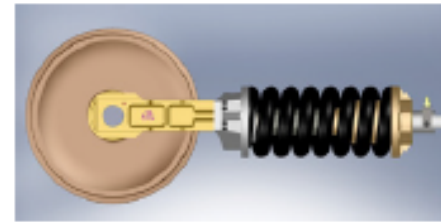


Kule Hidrolik Pompası
Regülatör
Kule Dönüş Motoru

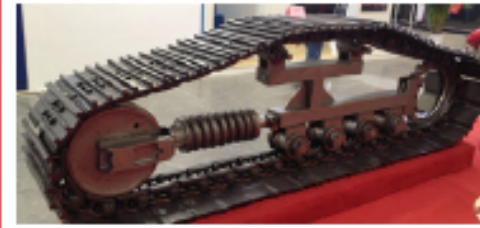




İstikamet Tekerleri
Çer Rimleri
Yürüyüş Makaraları
Taşıyıcı Makaralar
İstikamet Çataları
Palet Gergil Yayıları
Palet Gergil Sistemi Komple
Palet Pabuçları
Palet Cıvata Ve Somunları
Şase Makaraları&Rim Cıvata+Somun



- Dozer Yürüyüş Makaraları
- Dozer Taşıyıcı Makaraları
- Dozer Rim Dışlıları
- Dozer İstikamet Tekerleri
- Dozer Palet Pabuçları
- Dozer Zincirleri
- Dozer Paletleri Komple
- Palet Gerilme Grubu





- Lift Keçe Tamir Takımları
- Boom Lift Keçe Tamir Takımları
- Arın Lift Keçe Tamir Takımları
- Kova Lift Keçe Tamir Takımları
- Hidrolik Ana Pompa Keçe Ve Tamir Takımları
- Ana Kontrol Valf Tamir Takımları
- Yürüyüş Hidromotor Tamir Takımları
- Plot Levye Tamir Takımları
- Direksiyon Silindri Keçe Tamir Takımları
- Dökücü Lift Keçe Tamir Takımları
- Palet Gergi Keçe Tamir Takımları
- Kule Hidromotor Tamir Takımları
- Cer Life Time Keçeler
- Kule Şanzuman Keçeler
- Hidromotor Şaft Keçesi
- Hidrolik Ana Pompa Şaft Keçesi
- Yürüyüş Hidromotor Şaft Keçesi
- Ön Krank Keçesi
- Arka Krank Keçesi
- O-Ring Kutuları Tüm Ekavatörlere Ait
- Toz Keçeleri
- Kova Pim O-Ringleri



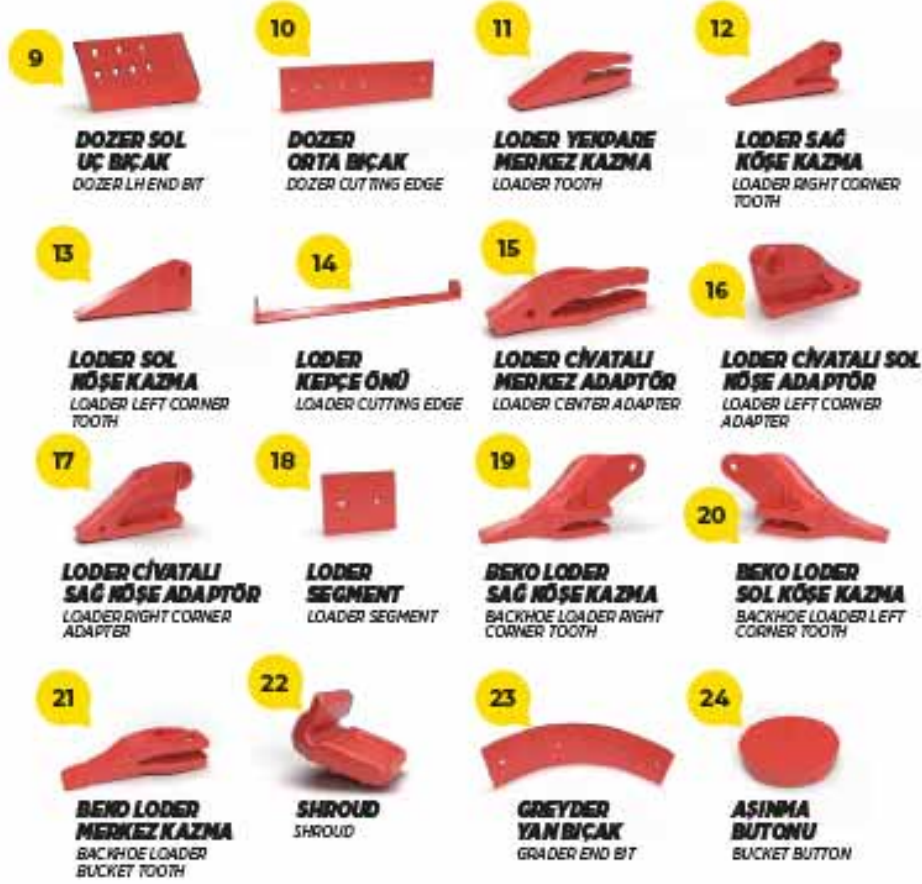
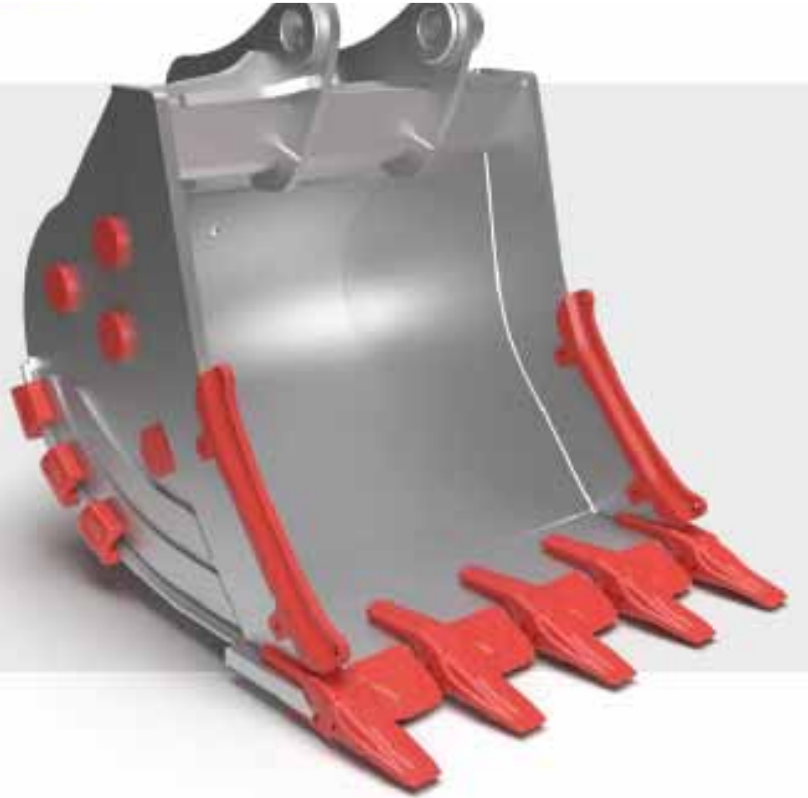
Direksiyon Silindir Keçe Tamir Takımları
Dökücü Lift Keçe Tamir Takımları
Palet Gergi Keçe Tamir Takımları
Kule Hidromotor Tamir Takımları
Cer Life Time Keçeleri
Kule Şanzıman Keçeleri
Hidromotor Şaft Keçesi
Hidrolik Ana Pompa Şaft Keçesi
Yürüyüş Hidromotor Şaft Keçesi
Ön Krank Keçesi
Arka Krank Keçesi
O-Ring Kutuları Tüm Etkavatörlere Ait
Toz Keçeleri
Kova Pim O-Ringleri



NOK

simrit®





CAT
KOMATSU
FLAT HITACHI
HITACHI
LIEBHERR
KOBELCO
KAWASAKI
SAMSUN
VOLVO
DAEWOO
HYUNDAI
HİDROMEK
CASE
EDER
SUMITOMO
FURUKAWA
XCMG
JCB
MASTAŞ
FERMEC
MASSEY FERGUSON
ÇUKUROVA
FAI
VENIERI
ESCO SUPER V SERIES
MITSUBISHI
CHAMPION
JOHN DEERE
NEW HOLLAND
DRESSER
EKSKAVATÖR
SF
ENK



Yüksek Performans
High performance



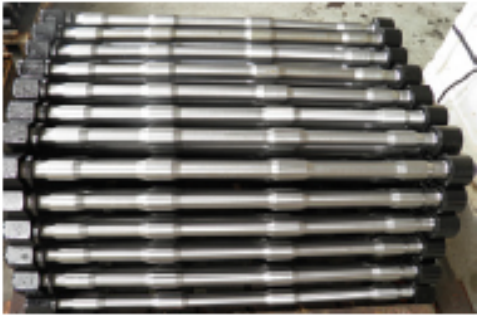
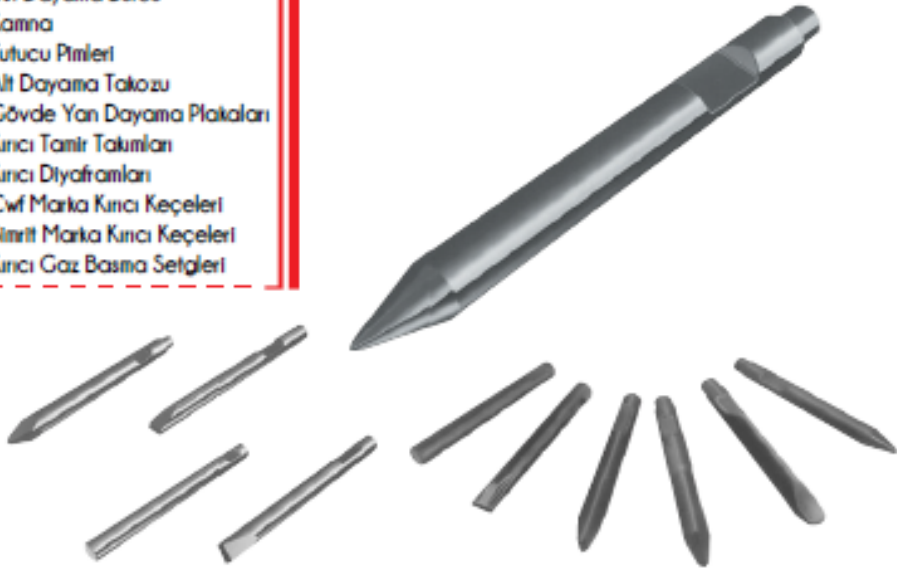
Uzun Çalışma Ömrü
Long service lifetime



Yüksek Dalıcılık
High submergibility



- Altı Dayama Burcu
- Üst Dayama Burcu
- Kamna
- Tutucu Pimleri
- Altı Dayama Takozu
- Gövde Yan Dayama Plakaları
- Kıncı Tamir Takımları
- Kıncı Diyaframları
- Cwf Marka Kıncı Keçeleri
- Stirrit Marka Kıncı Keçeleri
- Kıncı Gaz Basma Setleri

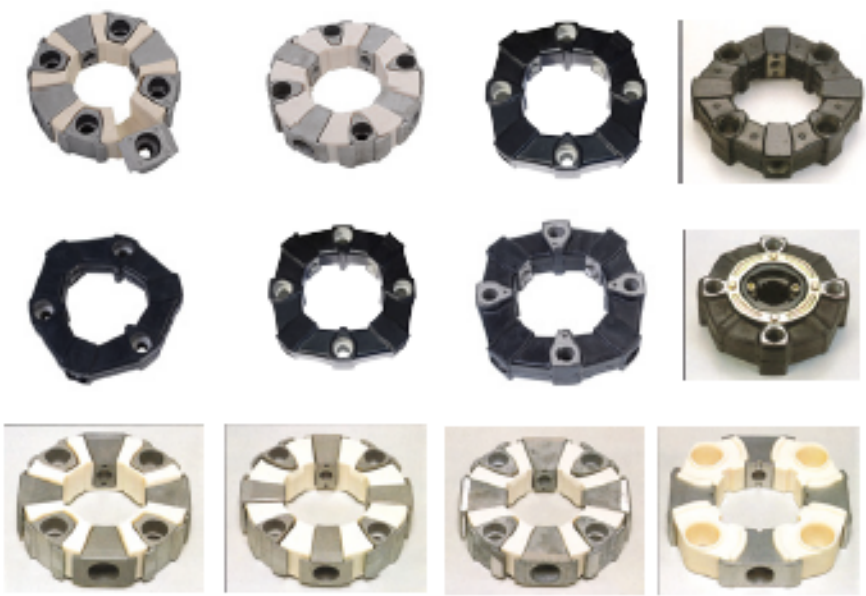


- Kıncı Tamir Takımları ve Diyaframları





Hidrolik Pompa
Kaplama





CONSTRUCTION MACHINERY SPARE PARTS



POWER TAKE OFF (PTO) EQUIPMENT



PTOS



SPLIT SHAFT PTO



SANDWICH PTO



TRANSFER CASE



Blower



PTO Accessories



RPM INCREASER/DECREASER



PUMP DRIVE



HYDRAULIC PUMP



WATER PUMP



FIRE TRUCK EQUIPMENT



CLUTCH SYSTEM



Worm Gear Mechanism



Hydraulic Equipment



DİZEL MOTOR



ŞANZIMAN



DİFERANSİYEL



CER



ANA HİDROLİK POMPA



ANA KUMANDA VALF



KABİN



UÇ BOM



RADYATÖR



ANA BOM

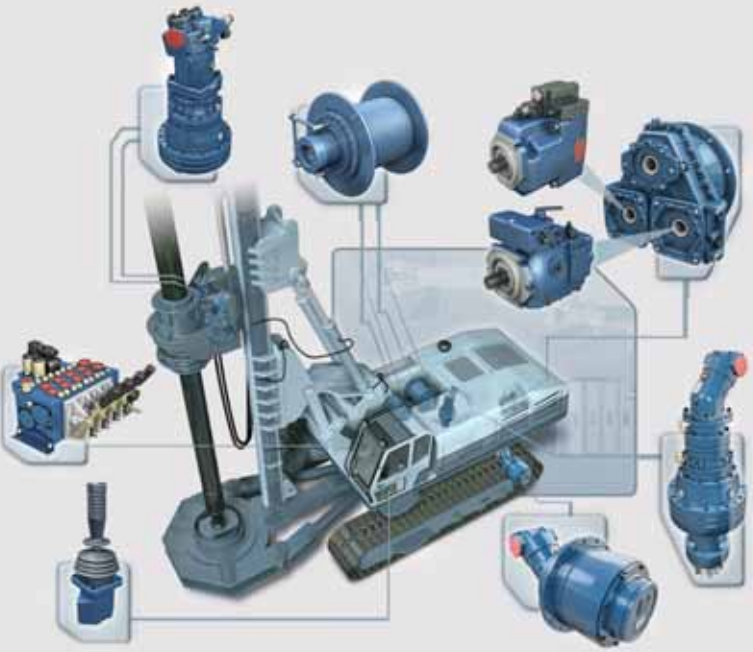


LİFTLER



KULE







Hydraulic & Pneumatic Equipment and Parts





FORKLIFT / INDUSTRIAL TRUCK PARTS ORIGINAL OEM- OES- AFTER MARKET



FORKLIFT / INDUSTRIAL TRUCK PARTS





Mobile Elevating Work Platforms (MEWPs), Personnel Lifting Platform , Manlift , Aerial Work Platforms (AWP) Sector



SOLID TIRES FOR ALL CONSTRUCTION MACHINERIES AND LISTING EQUIPMENT



SOLID TIRES FOR ALL CONSTRUCTION MACHINERIES AND LISTING EQUIPMENT



SKID STEER LOADER



SKID STEER AUGER DRILLING MACHINE



SNOW BLOWERS



ARTICULATED DUMP TRUCK



SLAG POT CARRIER



MOBILE CRANE



UNDERGROUND SCISSOR LIFT



ARTICULATED DUMP TRUCK



TRENCHER



HAMMER



TELEHANDLER



FRONT LOADER



BACKHOE LOADER



WHEEL BULLDOZER



SCOOPTRAM



UNDERGROUND ROCKBREAKER



GRAPPLE RAKE ATTACHED



SKID STEER SWEEPER BROOM



FRONT LOADER



SHIPYARD TRANSPORTER



SCRAPS HANDLER



TELEHANDLERS



UNDERGROUND BOOM LIFT



ROOF SUPPORT CARRIER

SOLID TIRES FOR ALL CONSTRUCTION MACHINERIES AND LISTING EQUIPMENT



SOLID LUG SOLID RIB SOLID SMOOTH



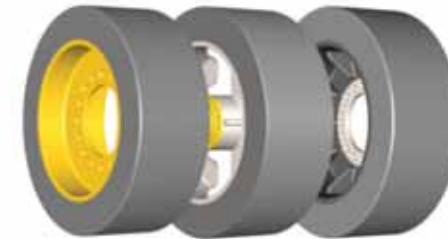
SOLID OTR SHORT LUG SOLID OTR LONG LUG SOLID OTR SMOOTH



UG MINING SOLID CROSS UG MINING SOLID RIB UG MINING SOLID Z



POB LUG STRAIGHT POB SMOOTH POB LUG ANGLE



PBB SOLID FLANGE TYPE PBB SOLID BEARING TYPE PBB SOLID STIFFENER TYPE



SOLID SKID STEER SOLID SMOOTH SKID STEER CURED ON WHEEL



GSE LUG TYRE GSE RIB TYRE GSE SMOOTH TYRE



END DISC RIM CENTER DISC RIM STIFFENER RIM



VEHICLE SPARE PARTS





AUTO PARTS - ORIGINAL AND AFTER-MARKET SPARE PARTS



SEAT

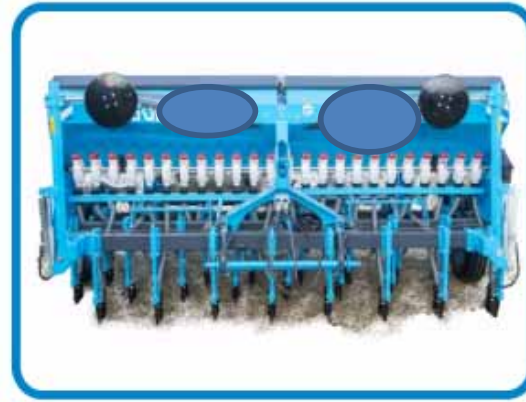




Used & Second Hand Machinery and Trucks - Türkiye / Dubai / Netherland



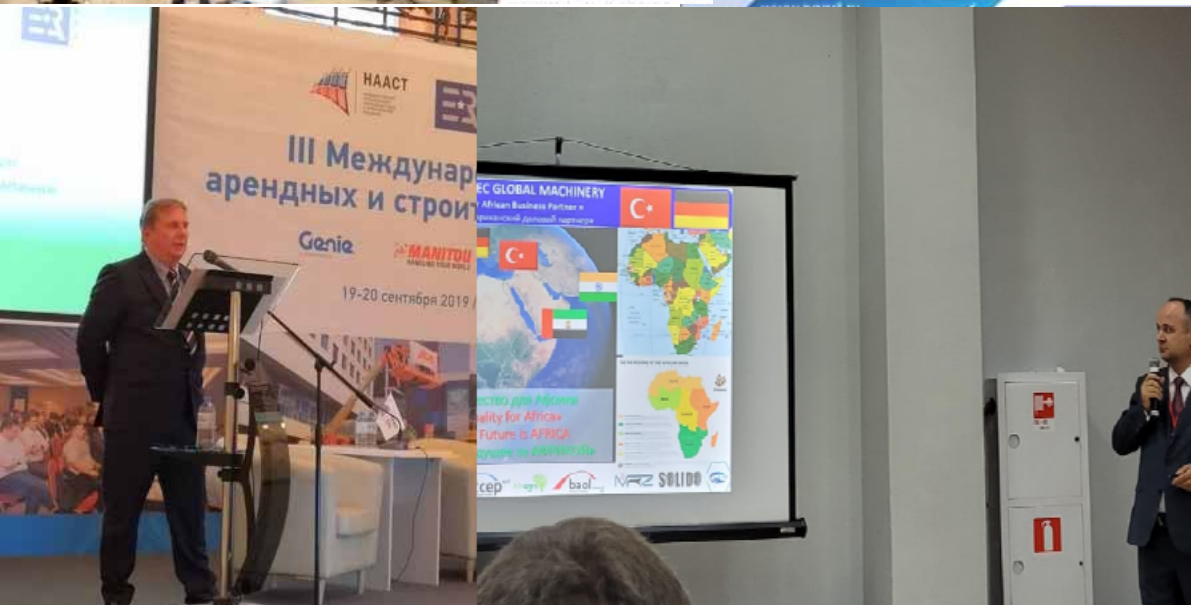






INTERNATIONAL RENTAL AND CONSTRUCTION FORUMS (2010 - 2022)

SENEGAL - RUSSIA- SOUTH AFRICA - CHILE - INDONESIA - SOUTH KOREA - INDIA - BRAZIL - AMERICA- BELGIUM – GERMANY



19 SEPTEMBER, 2019, EXHIBITION CENTER "NIZHEGORODSKAYA YARMARKA", MARINS PARK HOTEL, NIZHNY NOVGOROD

III INTERNATIONAL RENTAL AND CONSTRUCTION FORUM

SPEAKERS OF THE FORUM

1. Aksoy Faruk	8. Kämpe Mikael	15. Petitjean Michel
2. Bachmann Carole	9. Klimenko Valeriy	16. Sautilis Toms
3. Bisnieks Andris	10. Klyuev Sergey	17. Trishin Vasily
4. Bocharnikov Pavel	11. Kryukov Aleksandr	18. Philippov Igor
5. Wim de Jong	12. Menjailov Aleksei	19. Hilderink Willem
6. Gomez Gloria	13. Mihailov Aleksandr	20. Shinkevich Pavel
7. Grizenko Maxim	14. Opolev Aleksandr	21. Yarushevichiusi Aleksandr

HAVE YOU DOWNLOADED YOUR EVENT APP?

HAACST
НАЦИОНАЛЬНАЯ
АССОЦИАЦИЯ
АРЕНДОДАТЕЛЕЙ
СТРОИТЕЛЬНОЙ
ТЕХНИКИ

www.naast.ru
forum@naast.ru
+7 (906) 418 64 73

#HAACST
#ФОРУМАРЕНДА2019





GLOBALTURQ

www.siftamec.com
faruk@siftamec.com



FARUK AKSOY

CEO / Executive Management Partner

Meclis Mah. Teraziler Cad.
Derviş Sok. Fuat Özalp Plaza
No:38 PK. 34785 Sancaktepe
İSTANBUL - TÜRKİYE

GSM: +90 532 698 37 11
TR +90 216 912 27 12

faruk@siftamec.com
www.siftamec.com
export@globalturq.com



CONSTRUCTION, AGRICULTURAL MACHINERIES,
VEHICLE & SPARE PARTS

GLOBALTURQ
Group Of Companies
www.globalturq.com



sidio group
SIDIO GROUP FAMILY
www.sidio-group.com
GERMANY | TURKEY | SENEGAL | UAE | INDIA